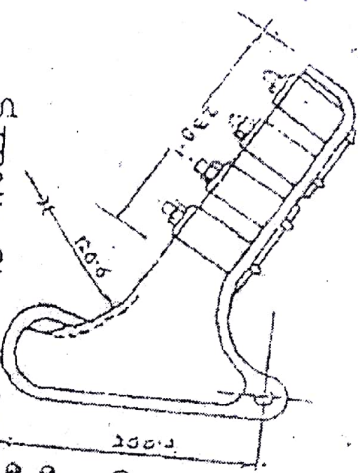
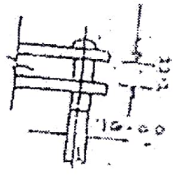


**STRAIN CLAMP**



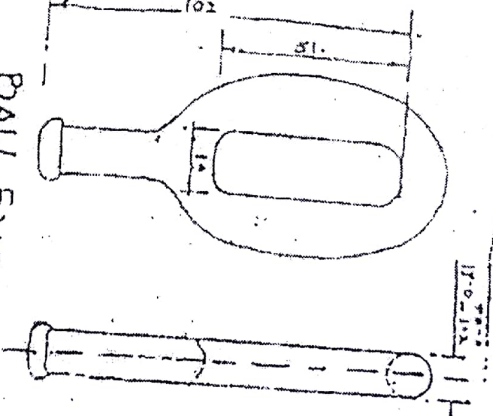
**NOTE:-**

- ① RAIL OR MATERIAL APPROX. TO THE TENDER SPECIFICATION AND S.T.P.
- ② TOLERANCE IN WT ± 5%
- ③ AS PER TOLERANCE AS PER IS: 2186 (PART 2) 1955

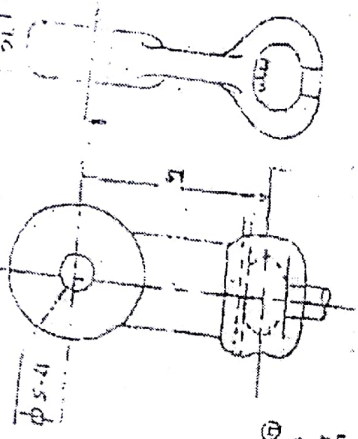


④ DIMENSIONS UP TO ANCHORING - ± 0.75 MM OVER 1.5 MM ± 1.2% ARE AS PER STRONGITY OF THE CLAMP - 4500 N

**BALL EYE**



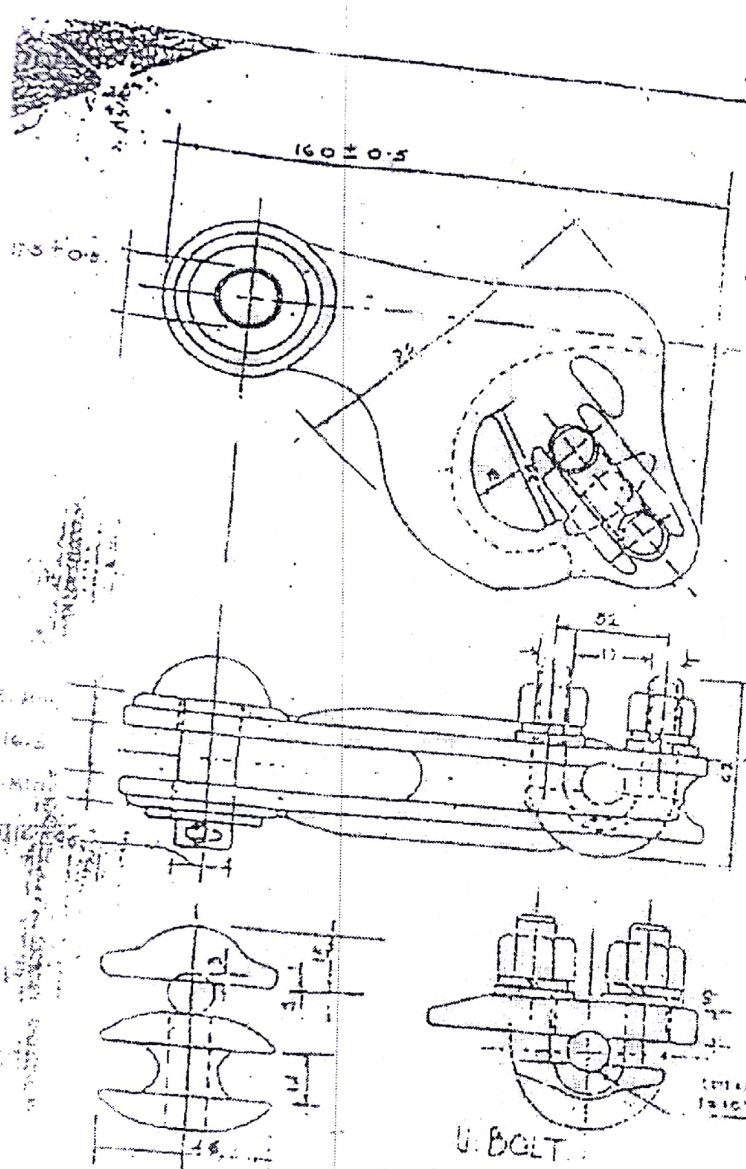
**ROCKET TONGUE WITH ROLLER HOLDER**



ALL DIMENSIONS ARE IN MM

JODHPUR VISVUT VITRAN NIGAM LIMITED  
 SECMM&C, JODHPUR  
 11.1KN Disc Insulator H/W Fitting  
 4SKN B&S Type

Approved by  
 I (B)  
 TN-1527



APPENDIX - I (A)

NOTE :

- (1) BILL OF MATERIAL AS PER OUR TENDER SPECIFICATION AND 3 :
- (2) TOLERANCE IN WT  $\pm 5\%$
- (3) GENERAL TOLERANCE AS PER IS 2486 (PART I) 1993  $\pm 0.1$  DIMENSIONS UP TO 35 MM AND INCLUDING 35 MM  $\pm 0.2$  OVER 35 MM
- (4) BREAKING STRENGTH OF THE CLAMP 3000

WORKING PIECE

U-BOLT

JODHPUR VIDYUT VITRAN NIGAM LIMITED  
S.E(CMM&C), JODHPUR

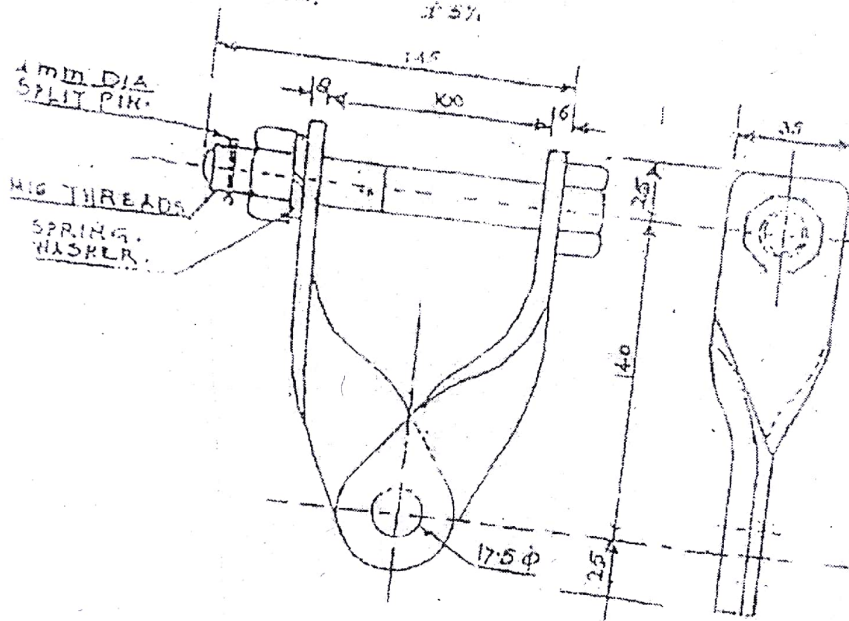
APPENDIX-I(A)  
TN-1527

11KV Strain Clamp of H/w Fitting for  
11KV Disc Insulator (T&C) Type

NOTE :-

- ① FINISH MATERIAL AS PER OUR TENDER NOTIFICATION AND G.T.P.
- ② GENERAL TOLERANCE AS PER IS: 2486 (PART-I) 1993  
DIMENSIONS UP TO AND INCLUDING 35MM TOLERANCE  $\pm 0.7$  MM.  
OVER 35MM  $\pm 2\%$   
 $\pm 5\%$
- ③ TOLERANCE IN WT  $\pm 5\%$

ADYDIX I. (C)  
TN-1597



CROSS-ARM STRAPS

ALL DIMENSIONS ARE IN MM.

JODHPUR VIDYUT VITRAN NIGAM LIMITED  
SECMM&C, JODHPUR

Cross Arm Straps for 11KV T&C And  
B&S Hardware fittings.